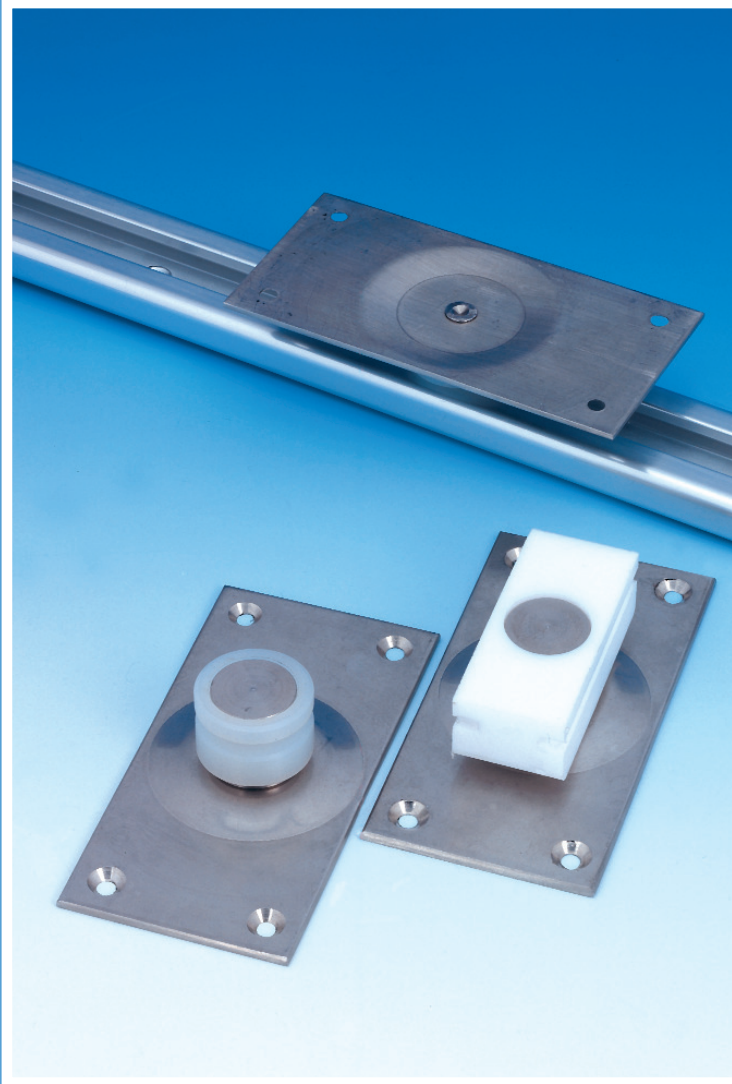




SET
GUIDE
SCORREVOLI

art.

0963-AN
0964-AN



BINARI IN LEGA
DI ALLUMINIO
ANODIZZATA;
PIASTRINE IN NYLON
O TEFLON
E ACCIAIO INOX;
COMPOSTO
DA 2 BINARI
DA MM 1500 CAD.
E 4 PIASTRINE
IN TEFLON (ART. 963)
O NYLON (ART. 964).

SET SLIDING
GUIDES

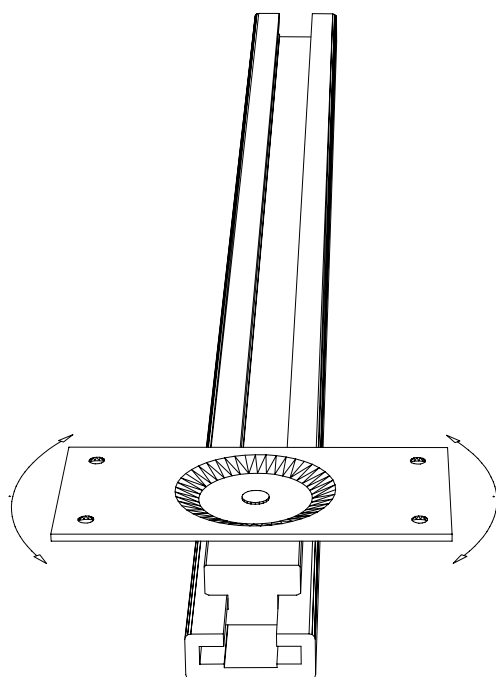
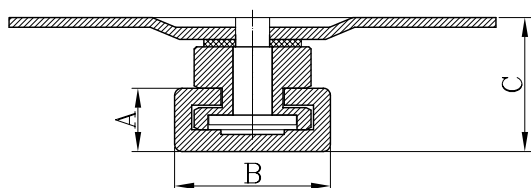
RAILS IN ANODIZED ALUMINIUM ALLOY;
PLATES IN NYLON OR TEFLON
AND STAINLESS STEEL;
COMPLETE WITH 2 RAILS
LENGTH MM 1500 EA.
AND 4 PLATES IN TEFLON (ART. 963)
OR NYLON (ART. 964).



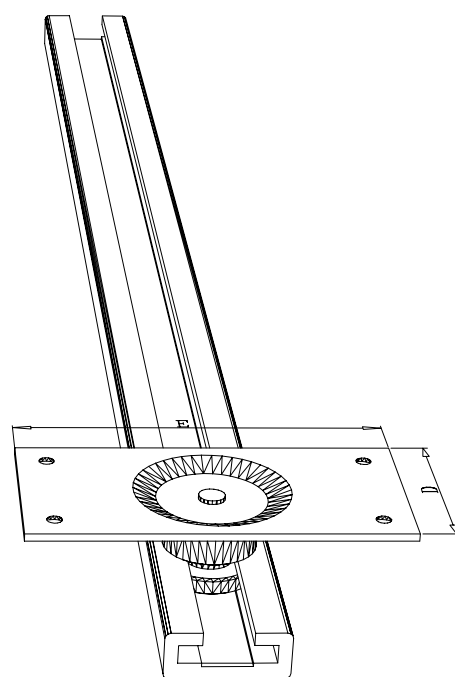
0963-AN
0964-AN

art.

SET GUIDE SCORREVOLI
SET SLIDING GUIDES



0963-AN



0964-AN

ART.	A	B	C	D	E	KG
0963-AN	12	32	27	50	100	2,300
0964-AN	12	32	27	50	100	2,000